



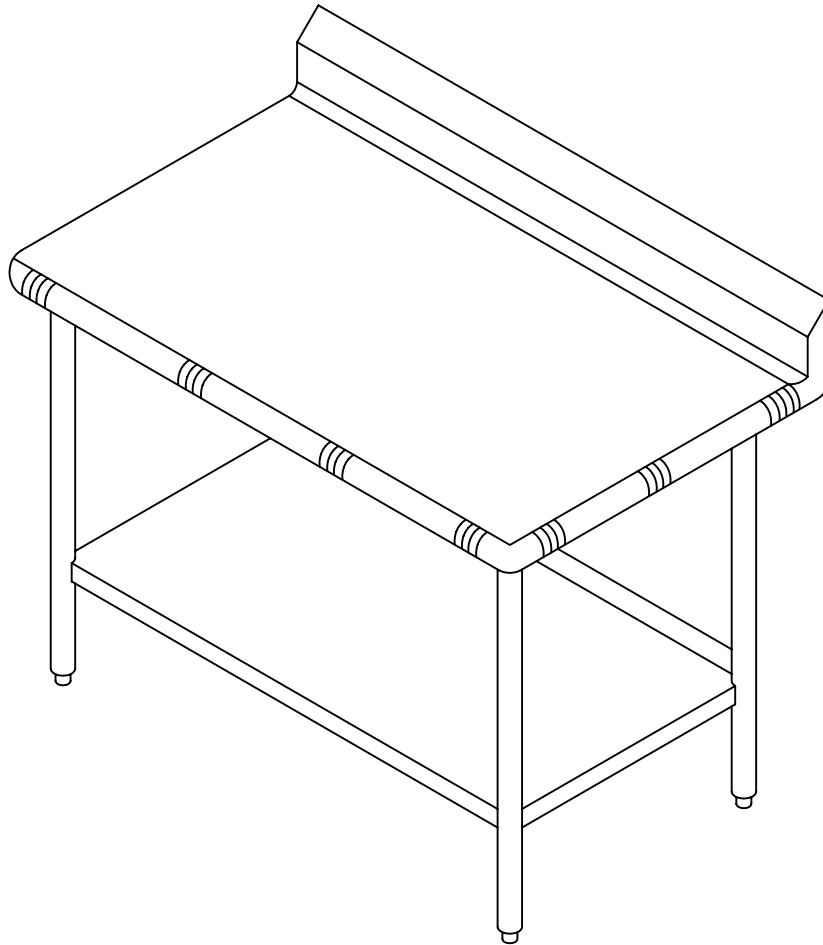
Commercial Stainless

ITEM # _____

QTY. _____

MODEL # CWTRB3/4

WORKTABLE WITH ROLLED EDGE TOP
AND BACKSPLASH (3/4" RADIUS)



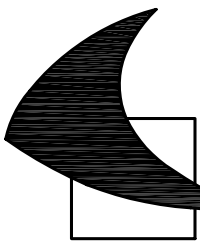
SPECIFICATIONS

WORKTABLE TOP TO BE 14 GA. TYPE 304, 18/8 STAINLESS STEEL, POLISHED TO A # 4 SATIN FINISH. TOP TO HAVE EDGES ROLLED DOWN ON A 1 1/2" DIAMETER. TABLE TO HAVE S/S CHANNEL STUD BOLTED TO TOP, WITH S/S LEG GUSSETS WELDED TO CHANNEL. LEGS TO BE 1 5/8" O.D. S/S TUBING WITH ADJUSTABLE S/S BULLET FEET. 16 GA. S/S UNDERSHELF TO BE NOTCHED & WELDED TO LEGS. UNDERSHELF TO BE TURNED UP 2" AT BACKSPLASH LOCATIONS. ALL JOINTS TO BE CONTINUOUSLY WELDED, GROUND SMOOTH, & POLISHED. BACKSPLASH TO BE TURNED UP ON A 3/4" RADIUS, 6" VERTICALLY, & BACK 2" ON A 45° ANGLE.

955 PATTERSON DRIVE
BLOOMSBURG, PA. 17815
TELEPHONE: (570) 387-8980 FAX: (570) 387-8982



CUSTOM BUILT
FOODSERVICE
EQUIPMENT 



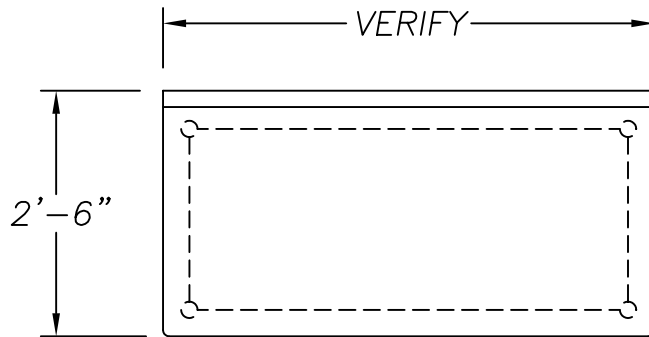
Commercial Stainless

ITEM # _____

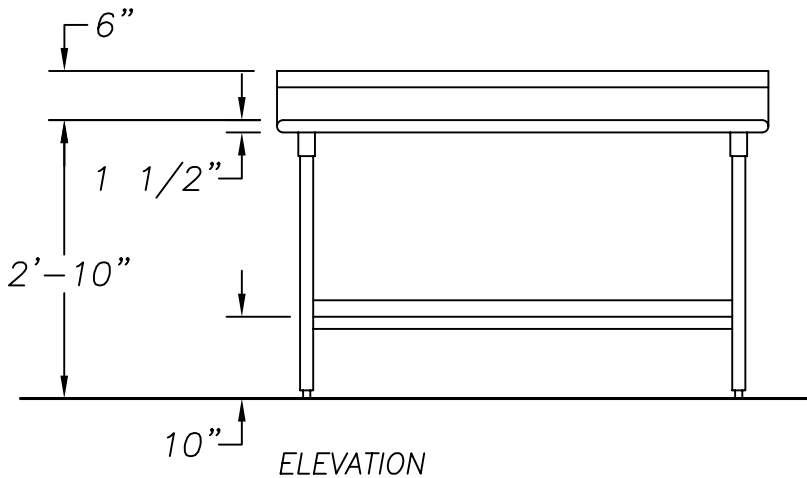
QTY. _____

MODEL # CWTRB3/4

WORKTABLE WITH ROLLED EDGE TOP AND BACKSPLASH (3/4" RADIUS)



PLAN VIEW



ELEVATION

OPTIONS

- | | |
|----------------------------------|---------------------------|
| 1. 16 GA. S/S TOP | 2. ROLLED MARINE EDGE TOP |
| 3. OPTIONAL UNDERSHELF | 4. DRAWER |
| 5. FLANGED FEET | 6. SOUND DEADENING |
| 7. 1" O.D. S/S CROSSRAIL | 8. URN TROUGH |
| 9. 1 1/4" O.D. S/S CROSSRAIL | 10. LEFT END SPLASH |
| 11. ___" X ___" X ___" DEEP SINK | 12. RIGHT END SPLASH |
| 13. OPTIONAL DRAIN | 14. SPECIAL SPLASH HEIGHT |
| 15. S/S WALL SPACERS | 16. 1" THICK SPLASH |

955 PATTERSON DRIVE
BLOOMSBURG, PA. 17815
TELEPHONE: (570) 387-8980 FAX: (570) 387-8982



CUSTOM BUILT
FOODSERVICE
EQUIPMENT 