

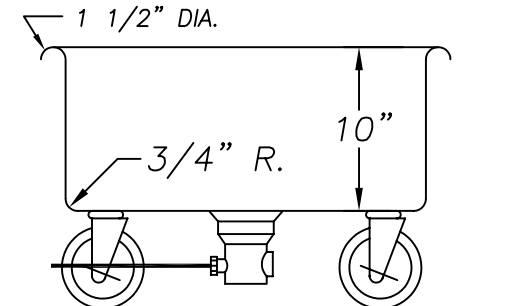
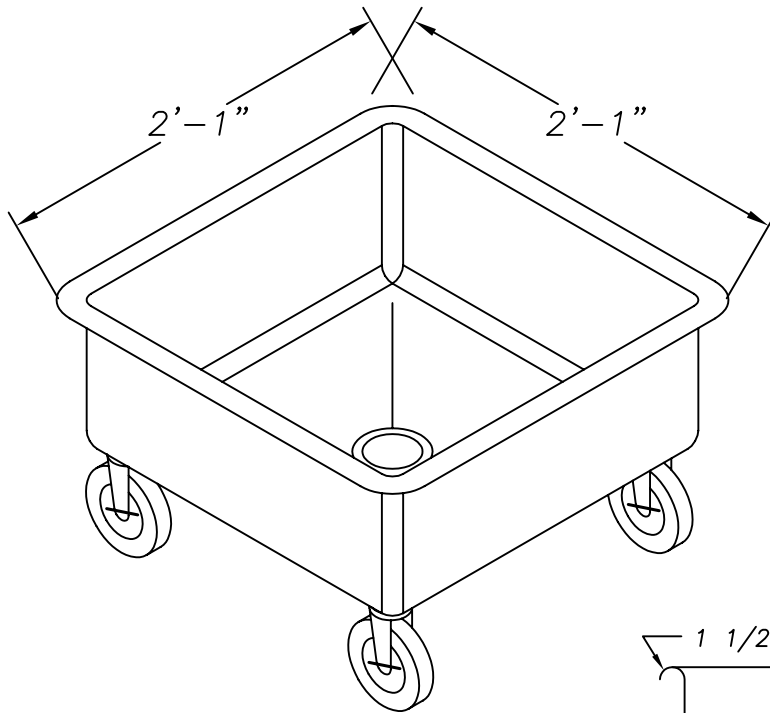
Commercial Stainless

ITEM # _____

QTY. _____

MODEL # CSS

SOAK SINK



SPECIFICATIONS

SOAK SINK TO BE 14 GA. TYPE 304, 18/8 STAINLESS STEEL, POLISHED TO A # 4 FINISH. ALL HORIZONTAL AND VERTICAL CORNERS TO BE 3/4" RADIUS COVERED CORNERS. ALL JOINTS TO BE CONTINUOUSLY WELDED, GROUND SMOOTH, & POLISHED. SINK TO BE 22" X 22" X 10" DEEP WITH A TWIST WASTE DRAIN. UNIT TO BE MOUNTED ON FOUR (4) 5" DIA. CASTORS WITH BRAKES.

OPTIONS

1. 16 GA. S/S

955 PATTERSON DRIVE
BLOOMSBURG, PA. 17815
TELEPHONE: (570) 387-8980 FAX: (570) 387-8982



CUSTOM BUILT
FOODSERVICE
EQUIPMENT 