



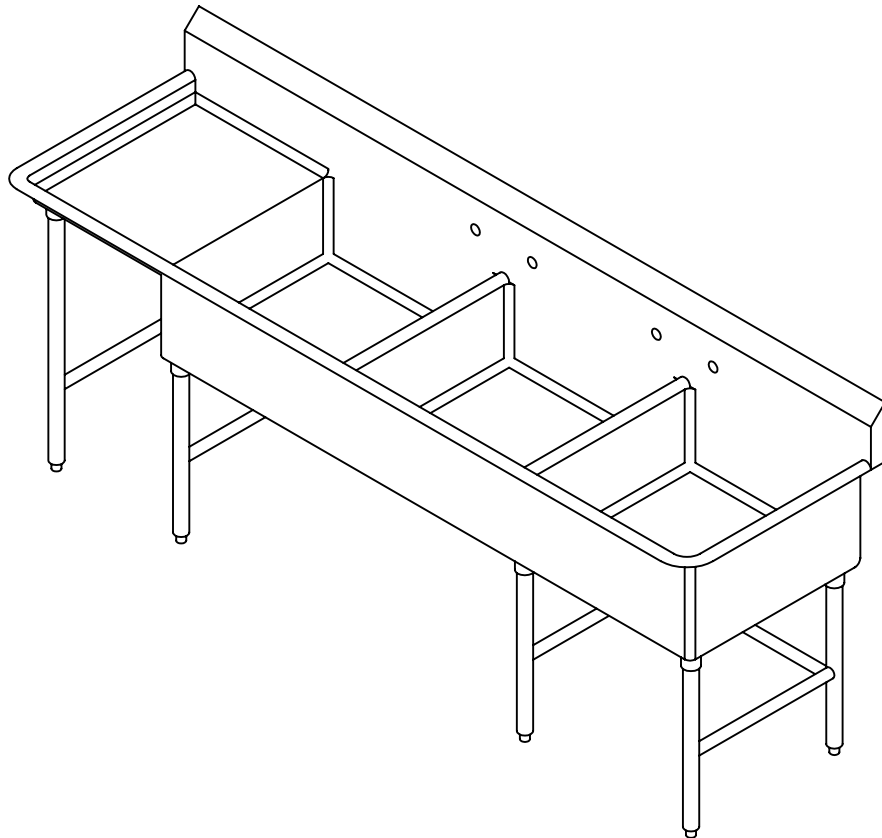
Commercial Stainless

ITEM # _____

QTY. _____

MODEL # C3CSSD

THREE (3) COMPARTMENT SINK WITH SINGLE DRAINBOARD



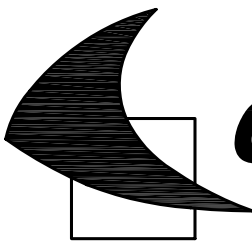
SPECIFICATIONS

THREE (3) COMPARTMENT SINK & DRAINBOARDS TO BE 14 GA. TYPE 304, 18/8 STAINLESS STEEL, POLISHED TO A # 4 SATIN FINISH. ALL SEAMS TO BE CONTINUOUSLY WELDED, GROUND SMOOTH, & POLISHED. ALL HORIZONTAL & VERTICAL CORNERS ARE TO BE 3/4" R. COVED CORNERS. 8" HIGH SPLASH TO BE 2" THICK WITH RETURN TO WALL ON A 45° ANGLE. LEGS TO BE 1 5/8" O.D. S/S TUBING WITH ADJUSTABLE S/S BULLET FEET. S/S LEG GUSSETS TO BE WELDED TO S/S CHANNEL. S/S CHANNEL IS TO BE STUD BOLTED TO TOP. SINKS TO BE SUPPLIED WITH 1 1/2" BASKET DRAIN. CROSSBRACING TO BE 1" O.D. S/S TUBING CONTINUOUSLY WELDED TO LEGS. SINKS TO BE SEPARATED BY A 1 1/2" THICK PARTITION WITH THE TOP EDGE ROLLED ON A 3/4" RADIUS. DRAINBOARDS EXCEEDING 24" IN LENGTH TO HAVE S/S CHANNEL & LEGS.

955 PATTERSON DRIVE
BLOOMSBURG, PA. 17815
TELEPHONE: (570) 387-8980 FAX: (570) 387-8982



CUSTOM BUILT
FOODSERVICE
EQUIPMENT 



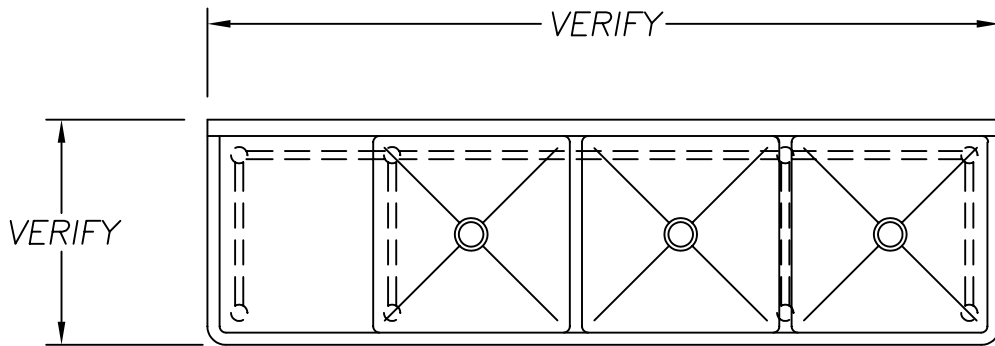
Commercial Stainless

ITEM # _____

QTY. _____

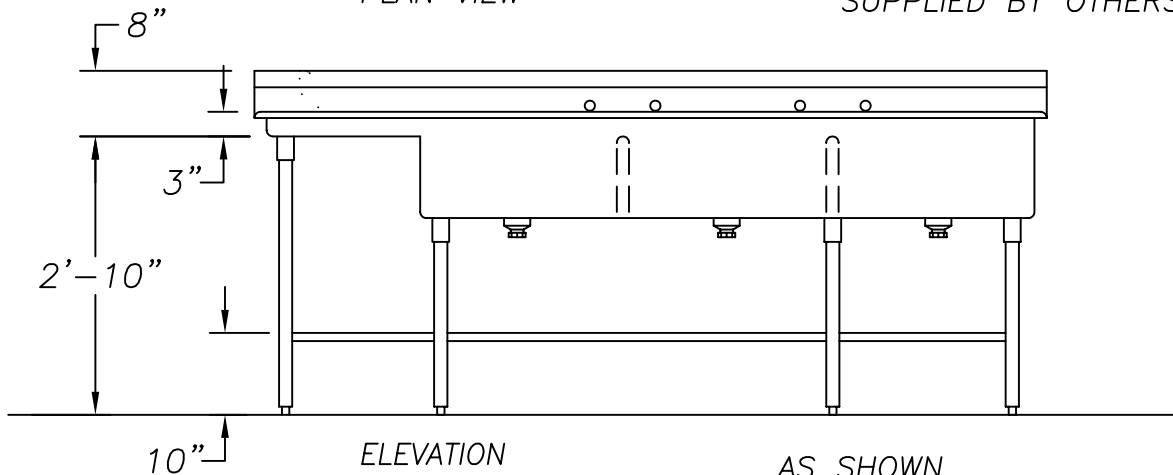
MODEL # C3CSSD

THREE (3) COMPARTMENT SINK WITH SINGLE DRAINBOARD



PLAN VIEW

NOTE: FAUCET TO BE
SUPPLIED BY OTHERS



ELEVATION

AS SHOWN _____

OPPOSITE _____

SINKS TO BE _____" LEFT TO RIGHT X _____" FRONT TO BACK X _____" DEEP

OPTIONS

- | | |
|---------------------------------|------------------------------|
| 1. ROLLED MARINE EDGE | 2. LEFT END SPLASH |
| 3. SPECIAL SPLASH HEIGHT | 4. RIGHT END SPLASH |
| 5. 1 1/4" O.D. S/S CROSSBRACING | 6. DISPOSER CONE |
| 7. OPTIONAL DRAIN | 8. DISPOSER COLLAR |
| 9. SOUND DEADENING | 10. DISPOSER CONTROL BRACKET |
| 11. S/S WALL SPACERS | 12. OPTIONAL UNDERSHELF |

955 PATTERSON DRIVE
BLOOMSBURG, PA. 17815
TELEPHONE: (570) 387-8980 FAX: (570) 387-8982



CUSTOM BUILT
FOODSERVICE
EQUIPMENT

