

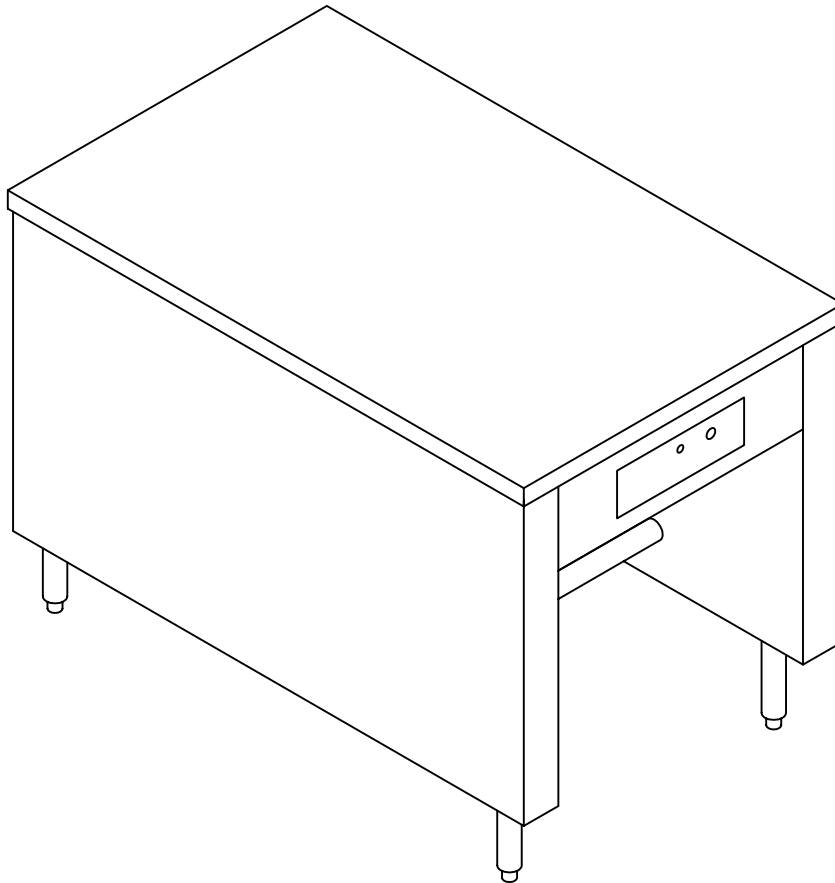
# Commercial Stainless

ITEM # \_\_\_\_\_

QTY. \_\_\_\_\_

MODEL # CCS

## CASHIER STAND



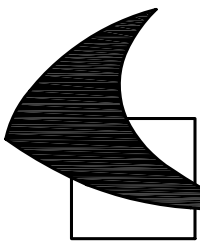
### SPECIFICATIONS

CASHIER STAND TO HAVE 14 GA. TYPE 304, 18/8 STAINLESS STEEL, POLISHED TO A # 4 SATIN FINISH. TOP EDGE TO HAVE A 1 1/2" TURN DOWN ON ALL SIDES & 1/2" RETURN ON FRONT & AT CASH DRAWER LOCATION. STAND TO BE ENCLOSED WITH 18 GA. S/S. LEGS TO BE 1 5/8" O.D. S/S, 6" HIGH WITH ADJUSTABLE S/S BULLET FEET. UNIT TO BE SUPPLIED WITH A CASH DRAWER AND 1 5/8" O.D. S/S FOOT REST.

955 PATTERSON DRIVE  
BLOOMSBURG, PA. 17815  
TELEPHONE: (570) 387-8980 FAX: (570) 387-8982



CUSTOM BUILT  
FOODSERVICE  
EQUIPMENT 



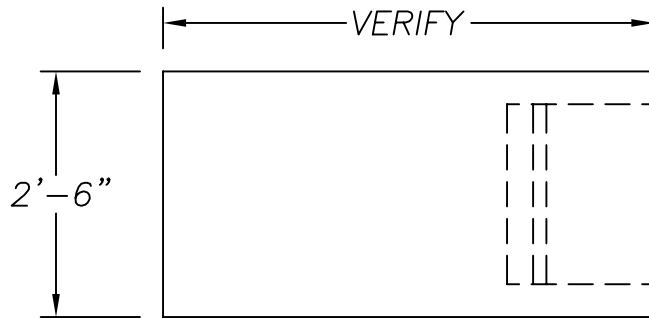
# Commercial Stainless

ITEM # \_\_\_\_\_

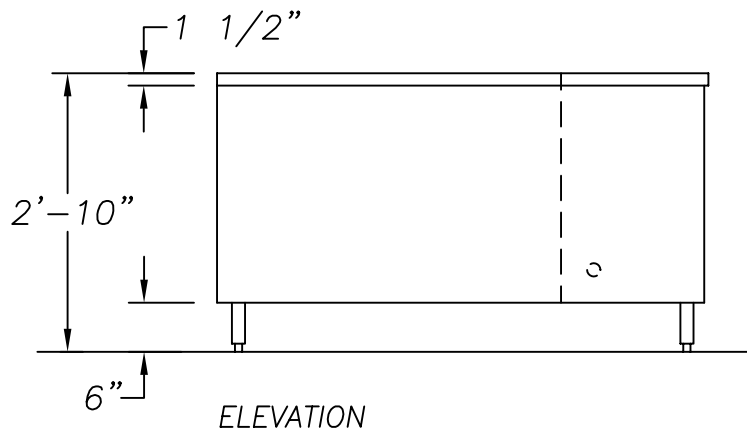
QTY. \_\_\_\_\_

MODEL # CCS

## CASHIER STAND



PLAN VIEW



ELEVATION

### OPTIONS

- |  |                               |
|--|-------------------------------|
| 1. 16 GA. S/S TOP                      | 2. ROLLED EDGE TOP            |
| 3. 5" DIA. SWIVEL CASTORS              | 4. 1 1/4" SQUARE STEEL FRAME  |
| 5. FLANGED FEET                        | 6. 1 1/4" SQUARE S/S FRAME    |
| 7. SOUND DEADENING                     | 8. REMOV. LAMINATED KICKPLATE |
| 9. PLASTIC LAMINATED PANELS            | 10. REMOV. S/S KICKPLATE      |
| 11. FIXED S/S TRAY SLIDE               | 12. DELETE CASH DRAWER        |
| 13. FIXED SOLID SURFACE TRAY SLIDE     | 14. LENGTH _____              |
| 15. FOLD DOWN S/S TRAY SLIDE           | 16. GROMMET FOR REGISTER CORD |
| 17. FOLD DOWN SOLID SURFACE TRAY SLIDE | 18. SURFACE RECEPTACLE        |