

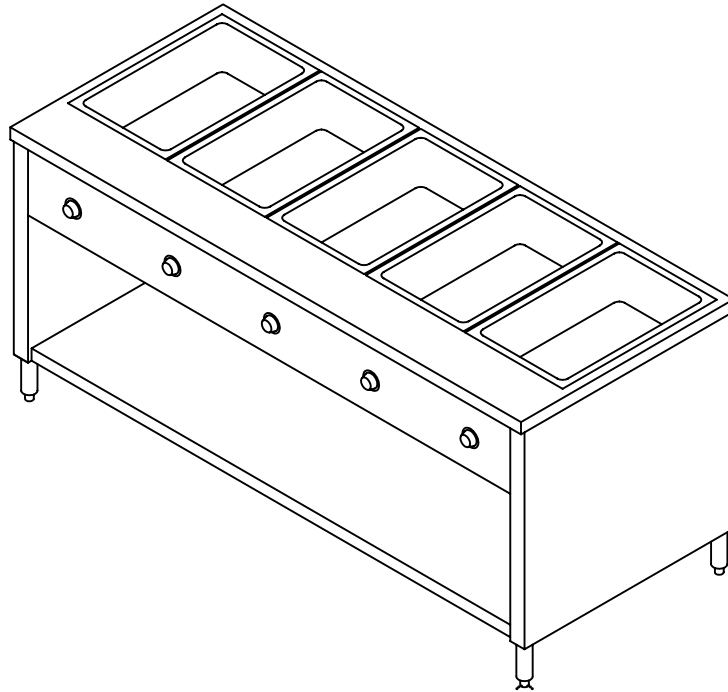
Commercial Stainless

ITEM # _____

QTY. _____

MODEL # CDHFT

DELUXE HOT FOOD TABLE



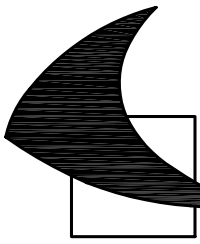
SPECIFICATIONS

DELUXE HOT FOOD TABLE TO HAVE 14 GA. TYPE 304, 18/8 STAINLESS STEEL TOP, POLISHED TO A # 4 SATIN FINISH. UNIT TO HAVE 18 GA. S/S BOTTOM SHELF & PLATE POCKET. ENDS & BACK TO BE 18 GA. S/S. LEGS TO BE 1 5/8" DIA. S/S, 6" HIGH WITH ADJUSTABLE S/S BULLET FEET. HOT FOOD WELLS ARE TO HAVE DRAINS MANIFOLDED & TO BE INDIVIDUALLY THERMOSTATICALLY CONTROLLED.

955 PATTERSON DRIVE
BLOOMSBURG, PA. 17815
TELEPHONE: (570) 387-8980 FAX: (570) 387-8982



CUSTOM BUILT
FOODSERVICE
EQUIPMENT 



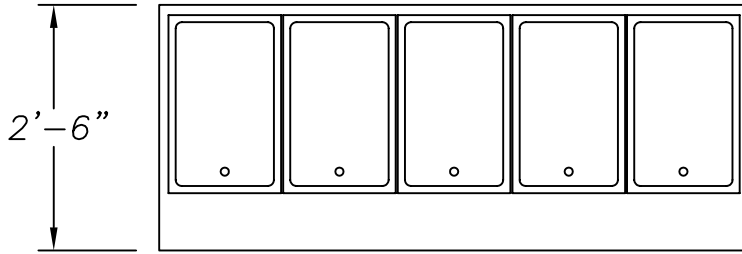
Commercial Stainless

ITEM # _____

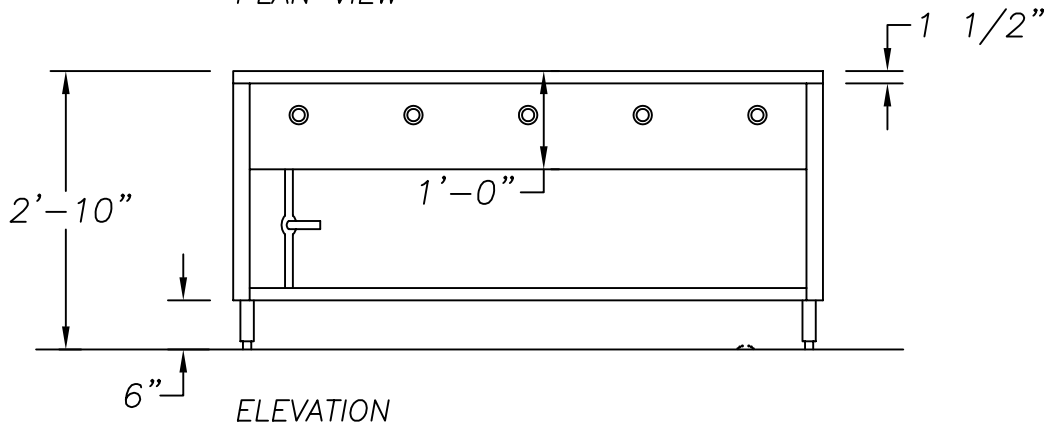
QTY. _____

MODEL # CDHFT

DELUXE HOT FOOD TABLE



PLAN VIEW



VOLTAGE REQ'D. _____

OPTIONS

- | | |
|--------------------------------|------------------------------|
| 1. 16 GA. S/S TOP | 2. ROLLED FRONT EDGE |
| 3. 16 GA. S/S SHELVING | 4. DRY HOT FOOD WELLS |
| 5. FILL FAUCET | 6. 1 1/4" SQUARE STEEL FRAME |
| 7. FLANGED FEET | 8. 1 1/4" SQUARE S/S FRAME |
| 9. LAMINATED PANELS | 10. BACK SPLASH |
| 11. REMOV. S/S KICKPLATE | 12. LEFT END SPLASH |
| 13. REMOV. LAMINATED KICKPLATE | 14. RIGHT END SPLASH |
| 15. SOUND DEADENING | 16. WHITE POLY CUTTING BOARD |
| 17. LENGTH _____ | 18. PLATE POCKET |

955 PATTERSON DRIVE
BLOOMSBURG, PA. 17815
TELEPHONE: (570) 387-8980 FAX: (570) 387-8982



CUSTOM BUILT
FOODSERVICE
EQUIPMENT 