



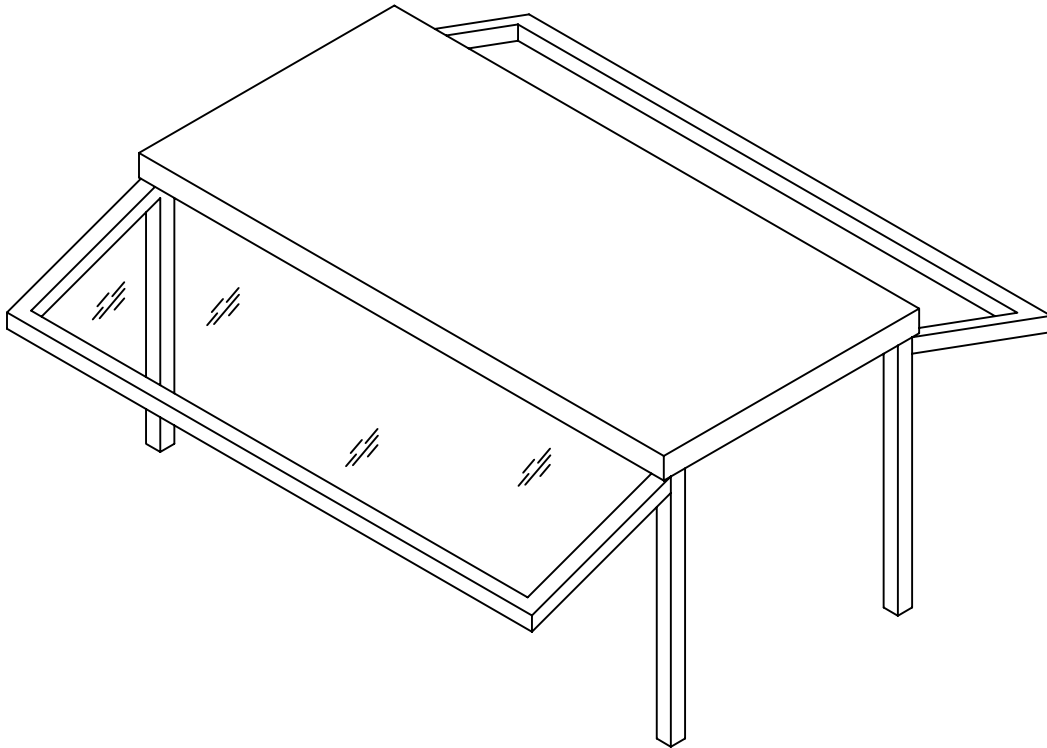
Commercial Stainless

ITEM # _____

QTY. _____

MODEL # CSGD

DOUBLE SIDED SNEEZE GUARD



SPECIFICATIONS

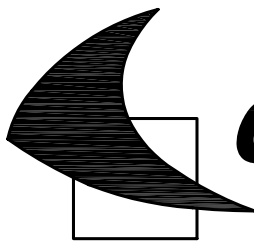
DOUBLE SIDED SNEEZE GUARD TO BE 16 GA. TYPE 304, 18/8 STAINLESS STEEL, POLISHED TO A # 4 SATIN FINISH. UPRIGHTS TO BE 1 1/4" SQUARE S/S TUBING. ALL EXTERNAL WELDS TO BE CONTINUOUSLY WELDED, GROUND SMOOTH, AND POLISHED. GLASS TO BE 1/4" THICK TEMPERED WITH EDGES CAPPED WITH S/S TRIM.

955 PATTERSON DRIVE
BLOOMSBURG, PA. 17815
TELEPHONE: (570) 387-8980 FAX: (570) 387-8982



CUSTOM BUILT
FOODSERVICE
EQUIPMENT





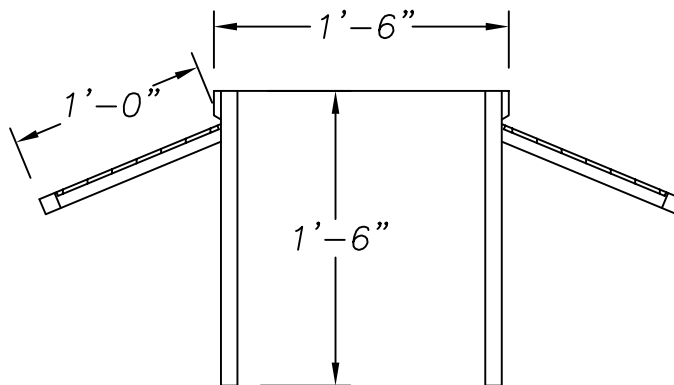
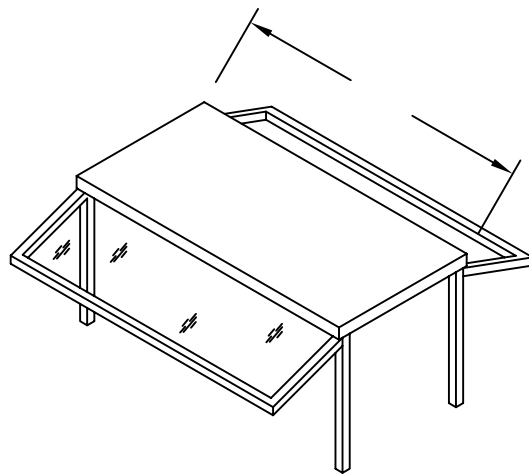
Commercial Stainless

ITEM # _____

QTY. _____

MODEL # CSGD

DOUBLE SIDED SNEEZE GUARD



OPTIONS

1. 14 GA. S/S SHELF
2. 3/8" THICK GLASS
3. 1" SQUARE TUBING UPRIGHTS
4. POLISHED EDGES ON GLASS
5. # 8 FINISH S/S TUBING
6. FLUORESCENT LIGHT

955 PATTERSON DRIVE
BLOOMSBURG, PA. 17815
TELEPHONE: (570) 387-8980 FAX: (570) 387-8982



CUSTOM BUILT
FOODSERVICE
EQUIPMENT

