



Commercial Stainless

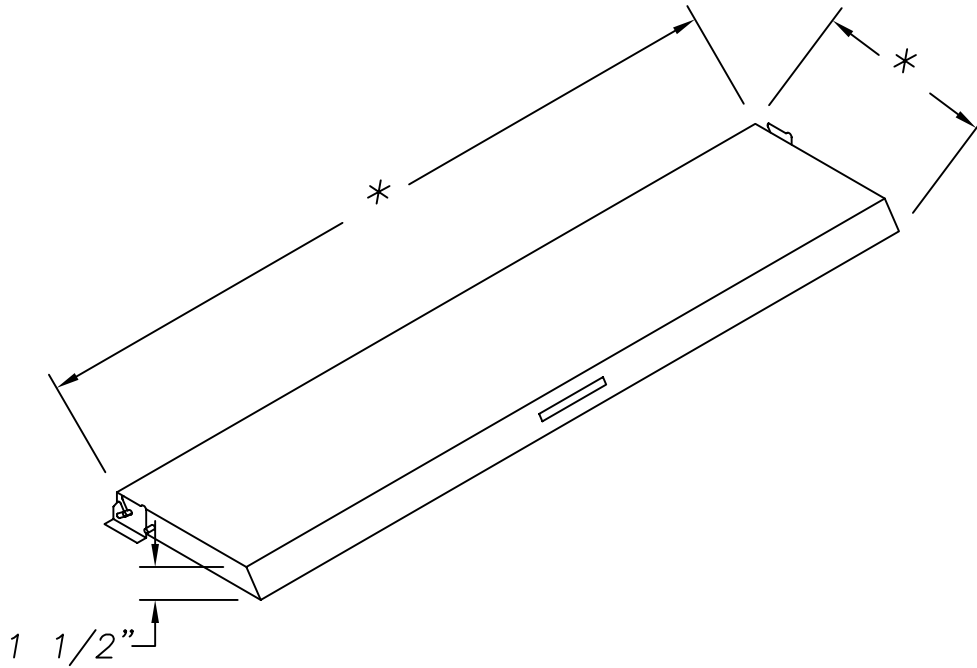
ITEM # _____

QTY. _____

MODEL # CHLC

HINGED LIFT-OFF COVER

* SIZE DETERMINED BY OPENING



SPECIFICATIONS

HINGED LIFT-OFF COVER TO BE 18 GA. TYPE 304, 18/8 STAINLESS STEEL, POLISHED TO A # 4 SATIN FINISH. COVER TO HAVE A 4" O.C. S/S HANDLE. HINGES TO BE S/S WITH S/S/ PIVOT PINS.

955 PATTERSON DRIVE
BLOOMSBURG, PA. 17815
TELEPHONE: (570) 387-8980 FAX: (570) 387-8982



CUSTOM BUILT
FOODSERVICE
EQUIPMENT

