

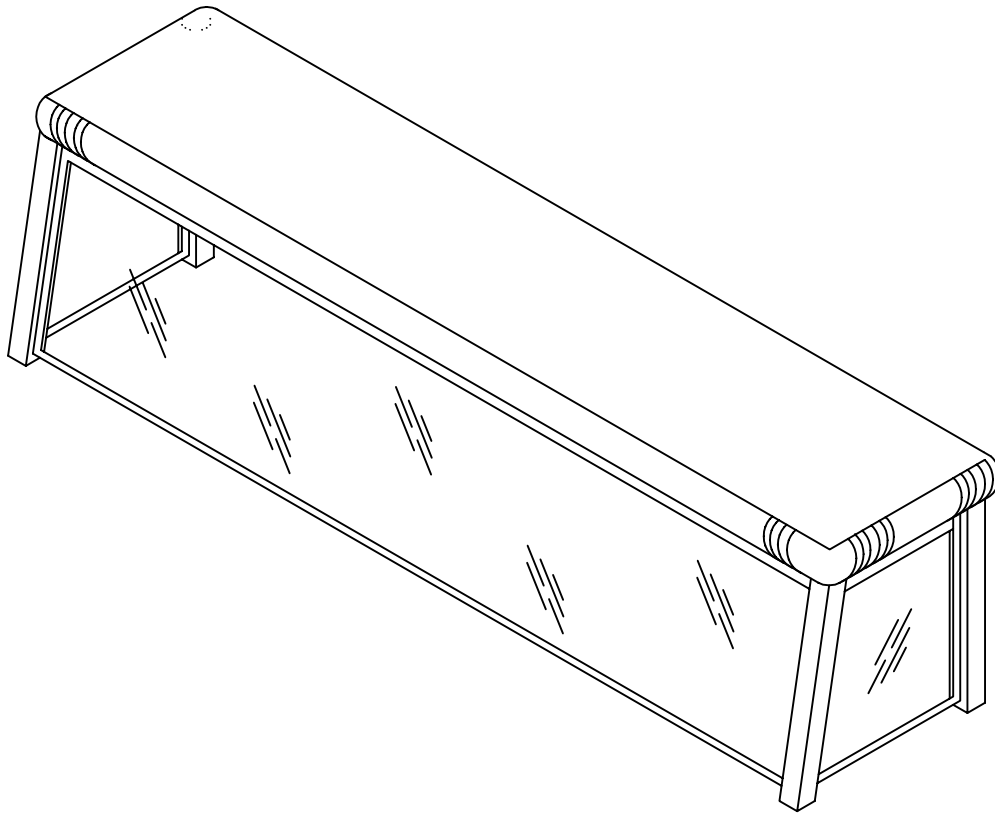
# Commercial Stainless

ITEM # \_\_\_\_\_

QTY. \_\_\_\_\_

MODEL # CPCR

## PROTECTOR CASE WITH ROLLED EDGES



### SPECIFICATIONS

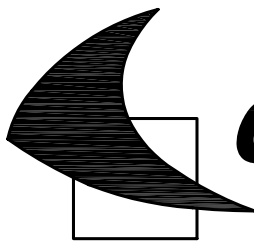
PROTECTOR CASE TO BE 16 GA. TYPE 304 18/8 STAINLESS STEEL, POLISHED TO A # 4 SATIN FINISH. ALL EXTERNAL SEAMS TO BE CONTINUOUSLY WELDED, GROUND SMOOTH, AND POLISHED. TOP TO HAVE ALL EDGES ROLLED DOWN ON A 1 1/2" DIAMETER. UPRIGHTS ARE TO BE 1 1/4" SQUARE S/S TUBING. 1/4" THICK TEMPERED GLASS TO HAVE EXPOSED EDGES CAPPED WITH S/S TRIM. GLASS ON ENDS TO BE MOUNTED TO UPRIGHTS WITH CLIPS & FRONT GLASS TO BE MOUNTED WITH TILT-OUT BRACKETS.

955 PATTERSON DRIVE  
BLOOMSBURG, PA. 17815  
TELEPHONE: (570) 387-8980 FAX: (570) 387-8982



CUSTOM BUILT  
FOODSERVICE  
EQUIPMENT





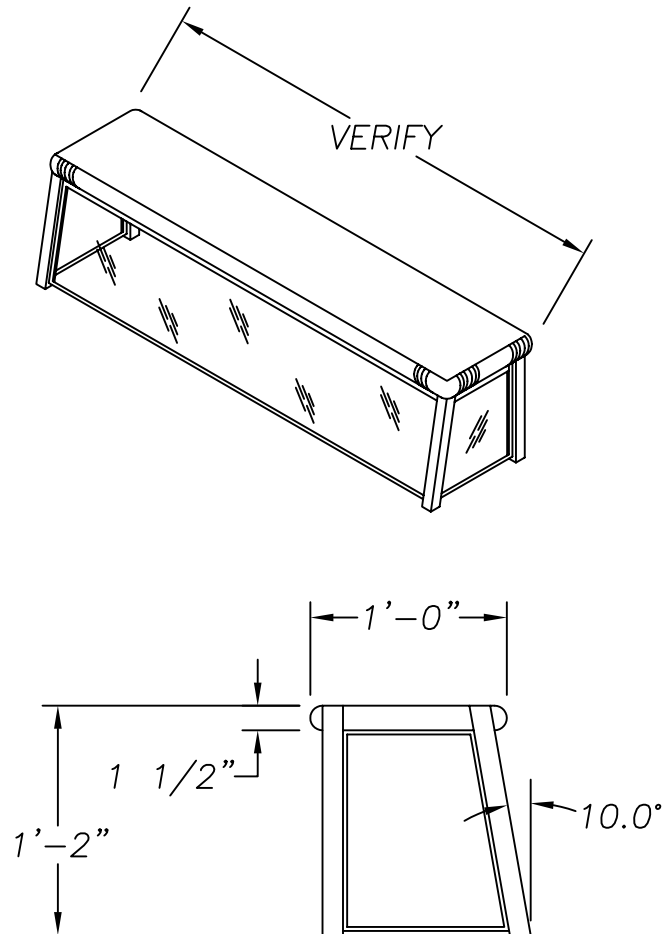
# Commercial Stainless

ITEM # \_\_\_\_\_

QTY. \_\_\_\_\_

MODEL # CPCR

## PROTECTOR CASE WITH ROLLED EDGES



### OPTIONS

- |                                       |                       |
|---------------------------------------|-----------------------|
| 1. 14 GA. S/S TOP                     | 2. 18 GA. S/S TOP     |
| 3. GLASS TOP SHELF                    | 4. FLUORESCENT LIGHT  |
| 5. #8 FINISHED EDGES                  | 6. HEAT LAMP BRACKETS |
| 7. SAFETY GLASS                       | 8. PLEXIGLASS         |
| 9. TEMPERED GLASS WITH POLISHED EDGES |                       |

955 PATTERSON DRIVE  
BLOOMSBURG, PA. 17815  
TELEPHONE: (570) 387-8980 FAX: (570) 387-8982



CUSTOM BUILT  
FOODSERVICE  
EQUIPMENT

