

Commercial Stainless

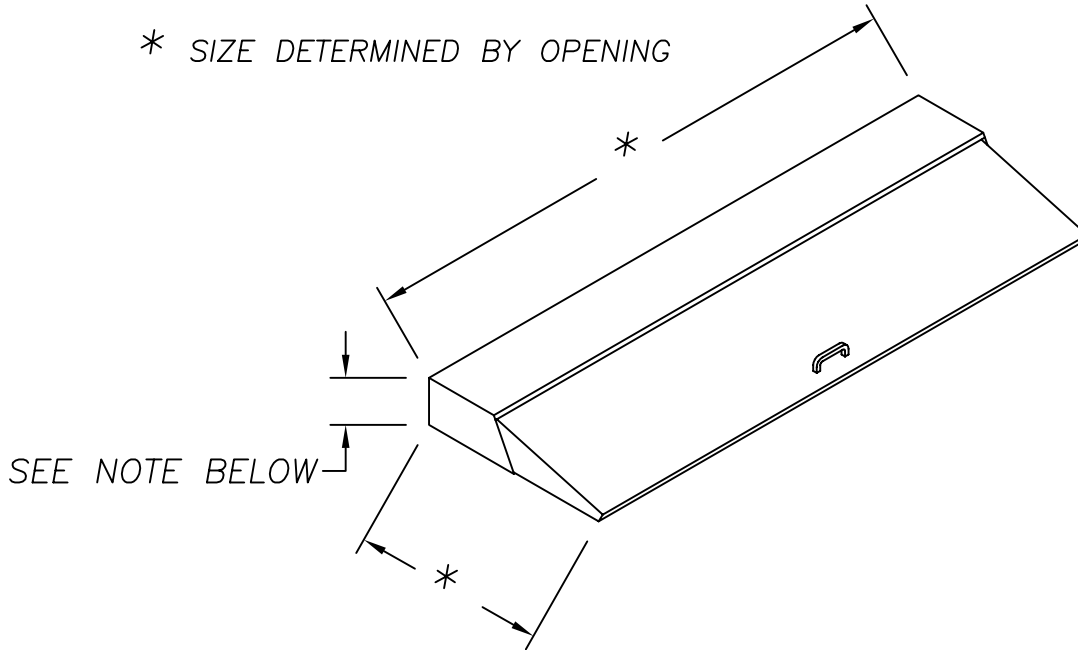
ITEM # _____

QTY. _____

MODEL # CTC

TELESCOPIC COVER

* SIZE DETERMINED BY OPENING



NOTE: FOR FRONT TO BACK DIMENSIONS OF 12" OR LESS, THE HEIGHT WILL BE 5 3/4", AND FOR OPENINGS GREATER THAN 12", THE HEIGHT WILL BE 10".

SPECIFICATIONS

TELESCOPIC COVER BASE TO BE 18 GA. TYPE 304, 18/8 STAINLESS STEEL, POLISHED TO A # 4 SATIN FINISH. LIFT UP LID TO BE 20 GA. S/S WITH 4" O.C. S/S HANDLE,.

955 PATTERSON DRIVE
BLOOMSBURG, PA. 17815
TELEPHONE: (570) 387-8980 FAX: (570) 387-8982



CUSTOM BUILT
FOODSERVICE
EQUIPMENT 