

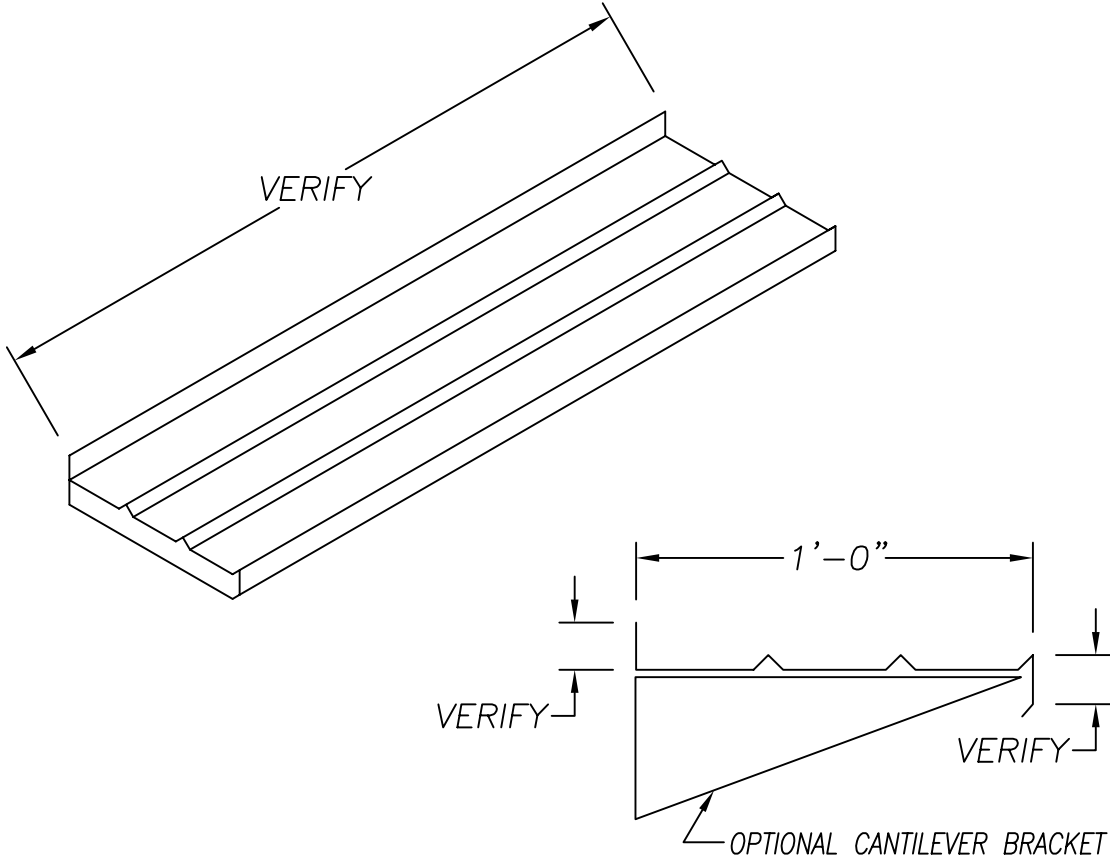
# Commercial Stainless

ITEM # \_\_\_\_\_

QTY. \_\_\_\_\_

MODEL # CTS

## TRAY SLIDE



### SPECIFICATIONS

TRAY SLIDE TO BE 16 GA. TYPE 304, 18/8 STAINLESS STEEL, POLISHED TO A # 4 SATIN FINISH. TRAY SLIDE TO HAVE 3 RAISED V RIBS TO RUN FULL LENGTH.

### OPTIONS

- |                       |                             |
|-----------------------|-----------------------------|
| 1. 14 GA. S/S         | 2. S/S CANTILEVER BRACKETS  |
| 3. ROLLED FRONT EDGE  | 4. 3/4" RADIUS REAR TURN-UP |
| 5. FOLD DOWN BRACKETS |                             |

955 PATTERSON DRIVE  
BLOOMSBURG, PA. 17815  
TELEPHONE: (570) 387-8980 FAX: (570) 387-8982



CUSTOM BUILT  
FOODSERVICE  
EQUIPMENT 