

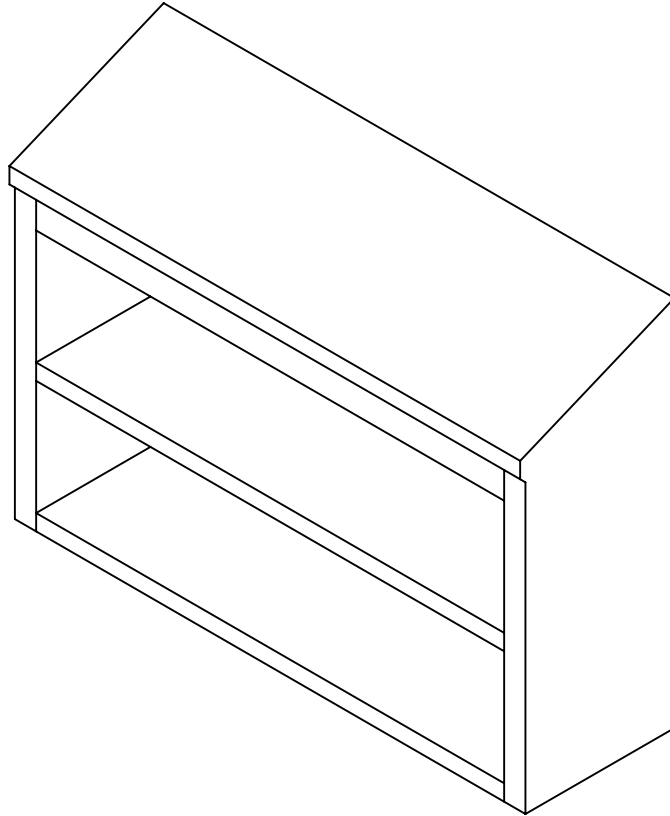
**Commercial
Stainless**

ITEM # _____

QTY. _____

MODEL # CWC

WALL CABINET



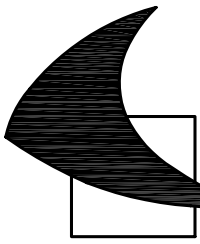
SPECIFICATIONS

WALL CABINET TO BE 18 GA. TYPE 304, 18/8 STAINLESS STEEL, POLISHED TO A # 4 SATIN FINISH. 18 GA. S/S INTERMEDIATE SHELF TO BE ADJUSTABLE. ALL WELDS TO BE GROUND SMOOTH AND POLISHED.

955 PATTERSON DRIVE
BLOOMSBURG, PA. 17815
TELEPHONE: (570) 387-8980 FAX: (570) 387-8982



CUSTOM BUILT
FOODSERVICE
EQUIPMENT 



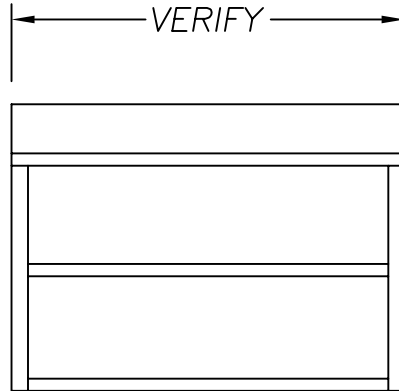
Commercial Stainless

ITEM # _____

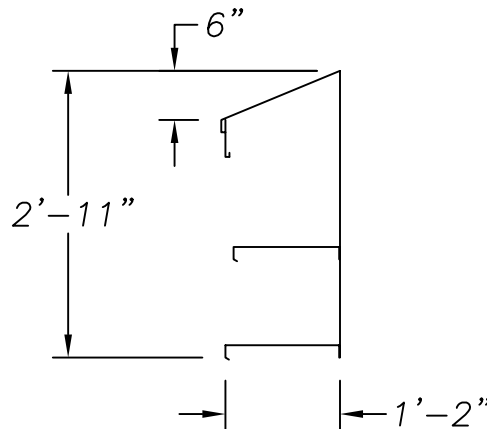
QTY. _____

MODEL # CWC

WALL CABINET



PLAN VIEW



SECTION

OPTIONS

- 1. FIXED INTERMEDIATE SHELF
- 2. LENGTH _____