

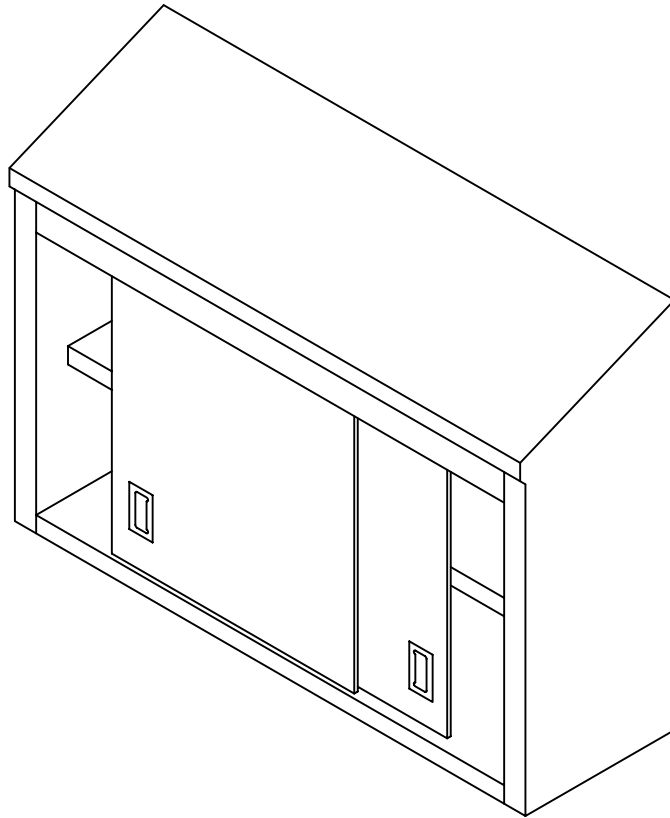
# Commercial Stainless

ITEM # \_\_\_\_\_

QTY. \_\_\_\_\_

MODEL # CWCSD

## WALL CABINET WITH SLIDING DOORS



### SPECIFICATIONS

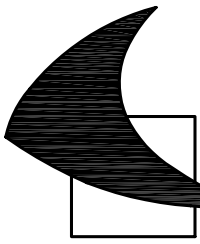
WALL CABINET TO BE 18 GA. TYPE 304, 18/8 STAINLESS STEEL, POLISHED TO A # 4 SATIN FINISH. 18 GA. S/S INTERMEDIATE SHELF TO BE ADJUSTABLE. ALL WELDS TO BE GROUND SMOOTH AND POLISHED. SLIDING DOORS TO BE 18 GA. S/S WITH RECESSED PULLS.

955 PATTERSON DRIVE  
BLOOMSBURG, PA. 17815  
TELEPHONE: (570) 387-8980 FAX: (570) 387-8982



CUSTOM BUILT  
FOODSERVICE  
EQUIPMENT





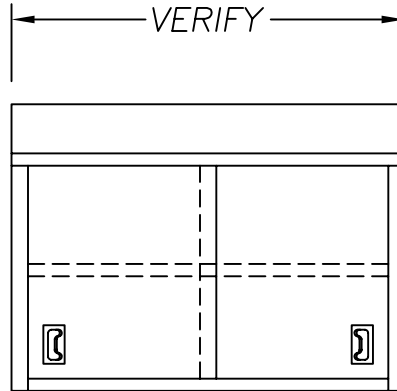
# Commercial Stainless

ITEM # \_\_\_\_\_

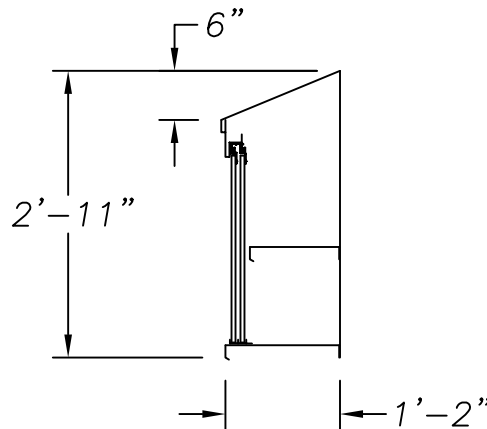
QTY. \_\_\_\_\_

MODEL # CWCSD

## WALL CABINET WITH SLIDING DOORS



PLAN VIEW



SECTION

### OPTIONS

- 1. FIXED INTERMEDIATE SHELF
- 2. LENGTH \_\_\_\_\_
- 3. MASTER KEYED LOCKS