

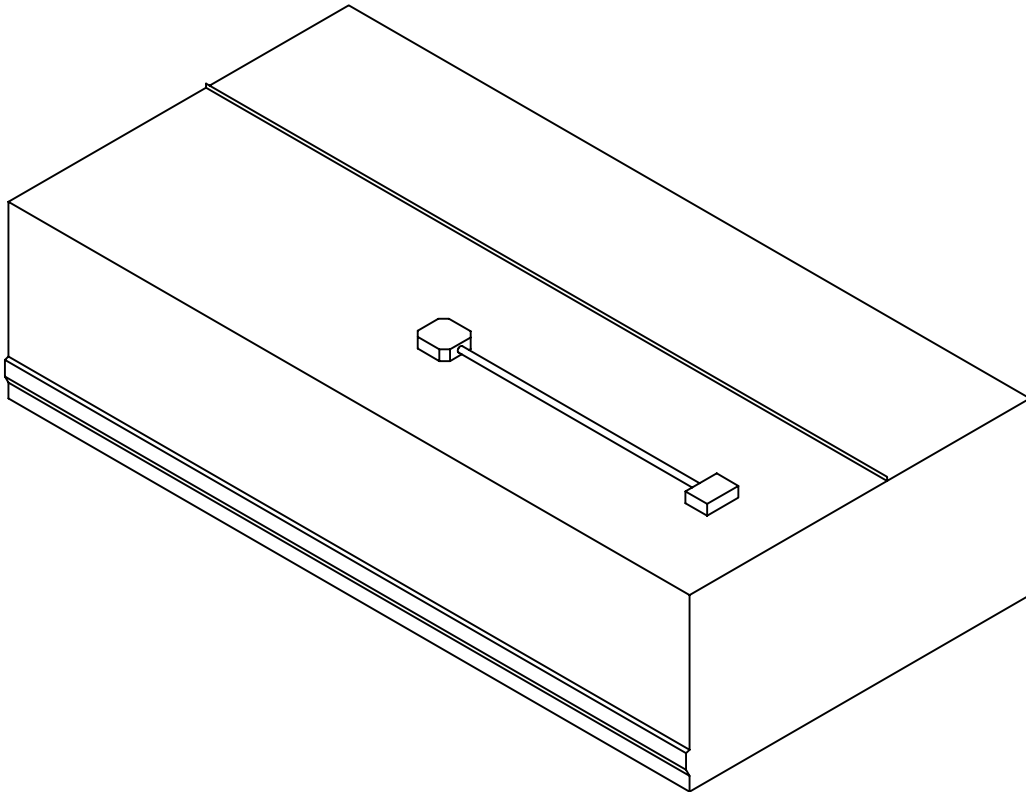
Commercial Stainless

ITEM # _____

QTY. _____

MODEL # CH

EXHAUST HOOD



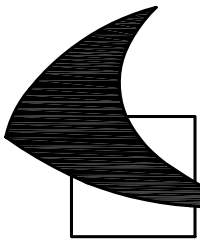
SPECIFICATIONS

EXHAUST HOOD TO BE 18 GA. TYPE 304, 18/8 STAINLESS STEEL, POLISHED TO A # 4 SATIN FINISH. ALL EXTERNAL SEAMS TO BE CONTINUOUSLY WELDED LIQUID TIGHT, GROUND SMOOTH, AND POLISHED. HOOD TO MEET NFPA # 96 STANDARDS. HOOD TO BE PROVIDED WITH FULL LENGTH FILTER BANK TO ACCOMMODATE STANDARD SIZE INCLUDED ALUMINIUM FILTERS. GREASE TO DRAIN FROM FILTERS INTO FULL LENGTH PITCHED GREASE TROUGH, THEN DRAIN INTO A REMOVABLE GREASE BUCKET. HOODS UP TO 10'-0" LONG TO BE PROVIDED WITH ONE (1) LIGHT AND JUNCTION BOX, LONGER HOODS TO BE PROVIDED WITH TWO (2) LIGHTS. LIGHTS TO BE PROVIDED WITH GLASS GLOBES.

955 PATTERSON DRIVE
BLOOMSBURG, PA. 17815
TELEPHONE: (570) 387-8980 FAX: (570) 387-8982



CUSTOM BUILT
FOODSERVICE
EQUIPMENT 



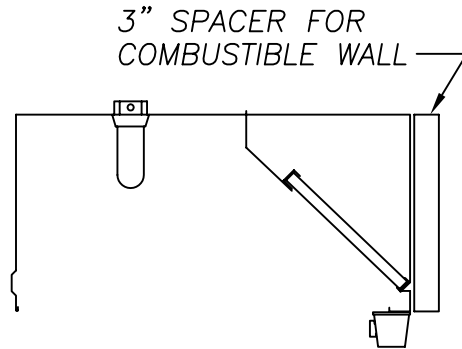
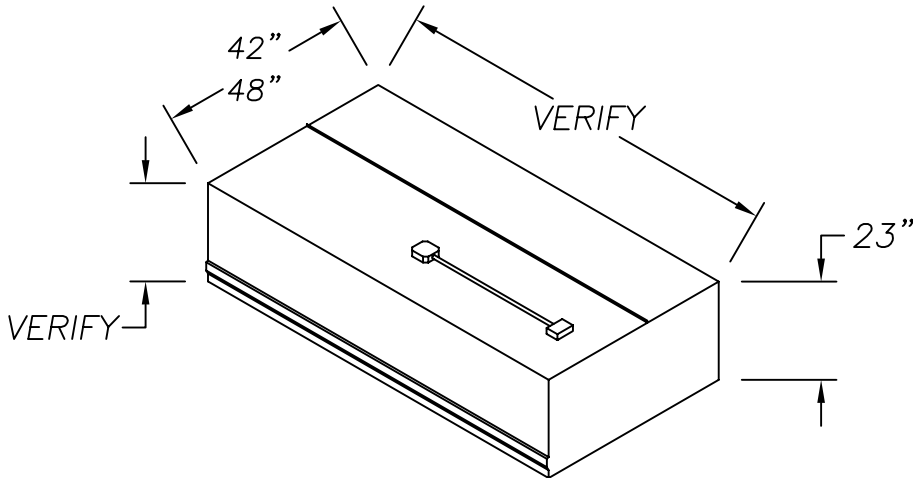
Commercial Stainless

ITEM # _____

QTY. _____

MODEL # CH

EXHAUST HOOD



OPTIONS

- | | |
|---|-----------------------------------|
| 1. INCANDESCENT LIGHTS QTY.____ | 2. S/S HOOD HANGERS |
| 3. FLUORESCENT LIGHTS QTY.____ | 4. S/S DOUBLE SWITCH BOX |
| 5. GREASE BUCKET ON LEFT END ____ | 6. JUNCTION BOX ON LEFT END ____ |
| 7. GREASE BUCKET ON RIGHT END ____ | 8. JUNCTION BOX ON RIGHT END ____ |
| 9. 3" SPACER FOR COMBUSTIBLE WALL | 10. S/S FILTERS |
| 11. 3" SPACER FOR COMBUSTIBLE CEILING | |
| 12. 3" HIGH S/S COLLAR (VERIFY SIZE & LOCATION) | |