

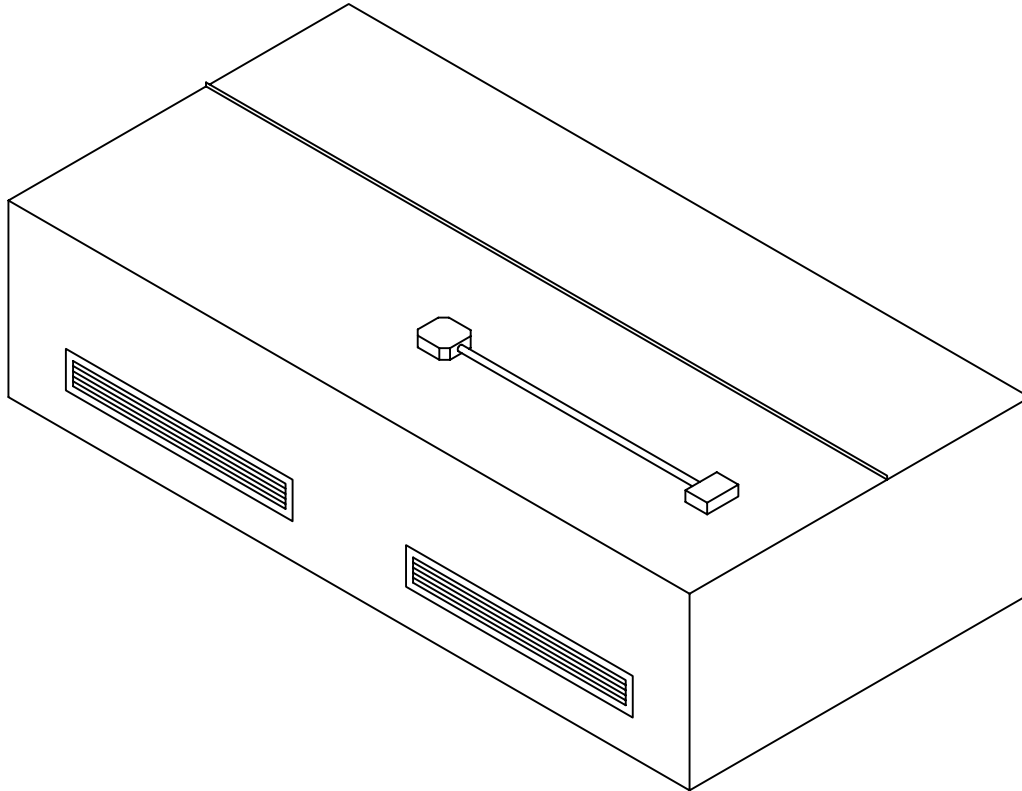
Commercial Stainless

ITEM # _____

QTY. _____

MODEL # CHM

EXHAUST HOOD WITH MAKE-UP AIR



SPECIFICATIONS

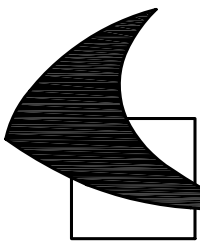
EXHAUST HOOD TO BE 18 GA. TYPE 304, 18/8 STAINLESS STEEL, POLISHED TO A # 4 SATIN FINISH. ALL EXTERNAL SEAMS TO BE CONTINUOUSLY WELDED LIQUID TIGHT, GROUND SMOOTH, AND POLISHED. HOOD TO MEET NFPA # 96 STANDARDS. HOOD TO BE PROVIDED WITH FULL LENGTH FILTER BANK TO ACCOMMODATE STANDARD SIZE INCLUDED ALUMINIUM FILTERS. GREASE TO DRAIN FROM FILTERS INTO FULL LENGTH PITCHED GREASE TROUGH, THEN DRAIN INTO A REMOVABLE GREASE BUCKET. HOODS UP TO 10'-0" LONG TO BE PROVIDED WITH ONE (1) LIGHT AND JUNCTION BOX, LONGER HOODS TO BE PROVIDED WITH TWO (2) LIGHTS. LIGHTS TO BE PROVIDED WITH GLASS GLOBES. MAKE-UP PLENUM TO BE PROVIDED WITH ADJUSTABLE DAMPERS WITH FUSIBLE LINKS.

955 PATTERSON DRIVE
BLOOMSBURG, PA. 17815
TELEPHONE: (570) 387-8980 FAX: (570) 387-8982



CUSTOM BUILT
FOODSERVICE
EQUIPMENT





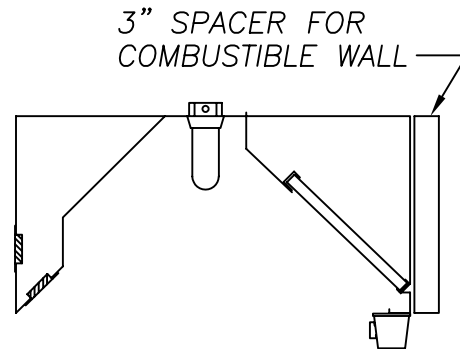
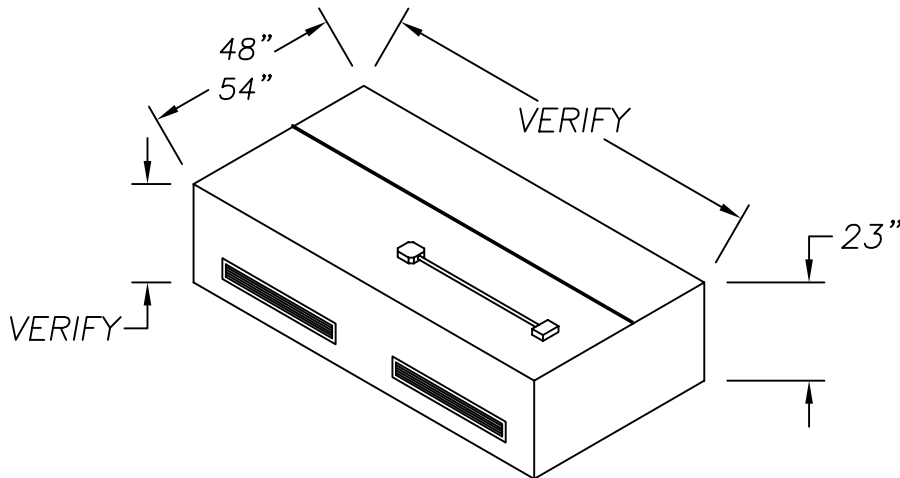
Commercial Stainless

ITEM # _____

QTY. _____

MODEL # CHM

EXHAUST HOOD WITH MAKE-UP AIR



OPTIONS

- | | |
|---|-----------------------------------|
| 1. INCANDESCENT LIGHTS QTY.____ | 2. S/S HOOD HANGERS |
| 3. FLUORESCENT LIGHTS QTY.____ | 4. S/S DOUBLE SWITCH BOX |
| 5. GREASE BUCKET ON LEFT END ____ | 6. JUNCTION BOX ON LEFT END ____ |
| 7. GREASE BUCKET ON RIGHT END ____ | 8. JUNCTION BOX ON RIGHT END ____ |
| 9. 3" SPACER FOR COMBUSTIBLE WALL | 10. S/S FILTERS |
| 11. 3" SPACER FOR COMBUSTIBLE CEILING | |
| 12. 3" HIGH S/S COLLAR (VERIFY SIZE & LOCATION) | |

955 PATTERSON DRIVE
BLOOMSBURG, PA. 17815
TELEPHONE: (570) 387-8980 FAX: (570) 387-8982



CUSTOM BUILT
FOODSERVICE
EQUIPMENT 