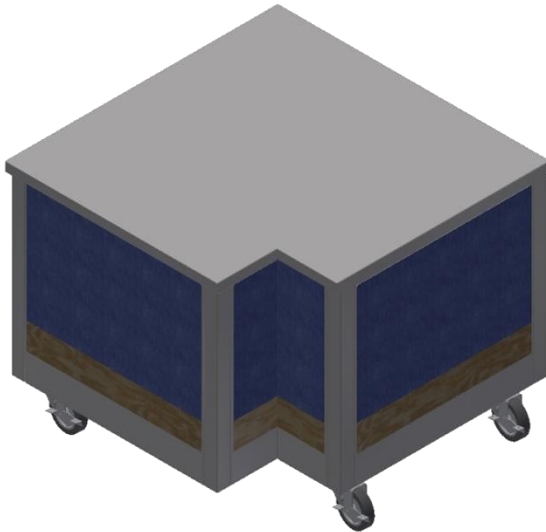


CORNER L-SHAPED COUNTER



Item #:	
Quantity:	
Model #:	
Project #:	



Standard Features:

- All 304 stainless steel construction
- Welded square tube frame
- Locking Casters
- Positive-Lock Counter Connection System
- 14 gauge top
- 18 gauge exterior panels
- NSF Listed
- UL Approved

Product Specification:

Ameraspec *Corner L-Shaped Counter* by Commercial Stainless, Inc. All 304 series stainless steel construction. Includes fully enclosed frame built from square stainless steel tubing, 14 gauge top, 18 gauge exterior panels, locking casters with positive-lock counter connection system standard. NSF listed and UL approved.

Options:

- Legs with adjustable bullet feet
- Kick plate, laminated or stainless steel
- Top Options:
 - Materials: Stainless Steel, Quartz or Corian
- Tray Slide Options:
 - Fixed position or drop-down/folding
 - Stainless Steel, v-ribbed or 3-rail
 - Solid surface; Corian or Quartz
 - Tray runners, square or round stainless
- 8" work shelf
- Food protector/sneeze guard
- Double deck display
- 120 or 240 volt utility outlets
- Laminate Panels

See Ameraspec Options sheet for more details

Quote Requests: quotes@commercialstainless.com

Commercial Stainless, Inc.

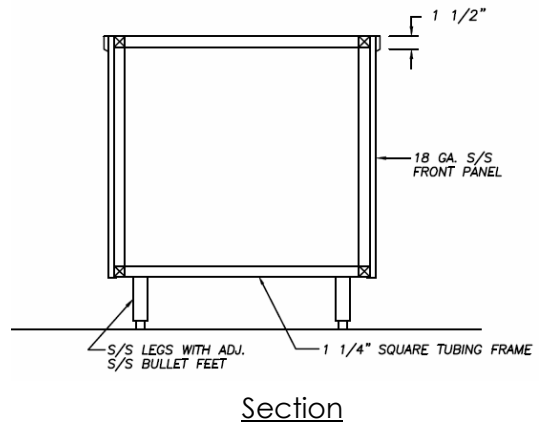
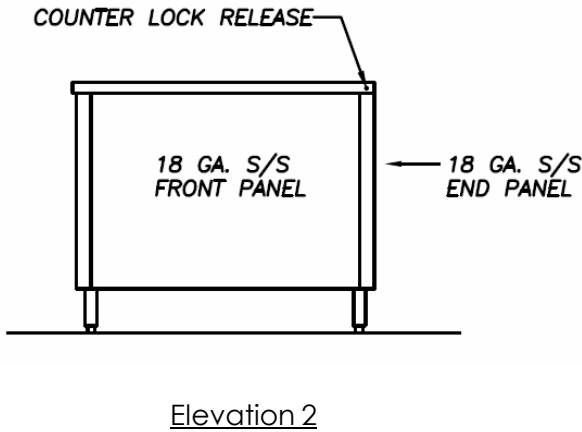
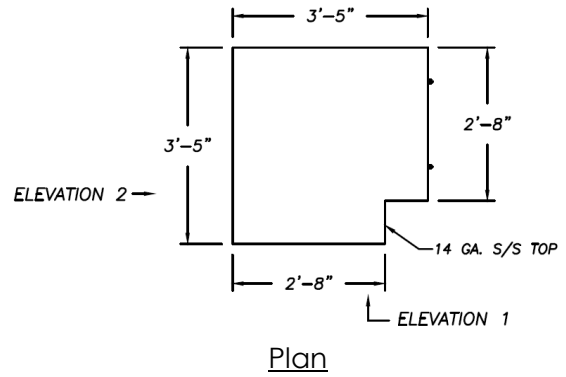
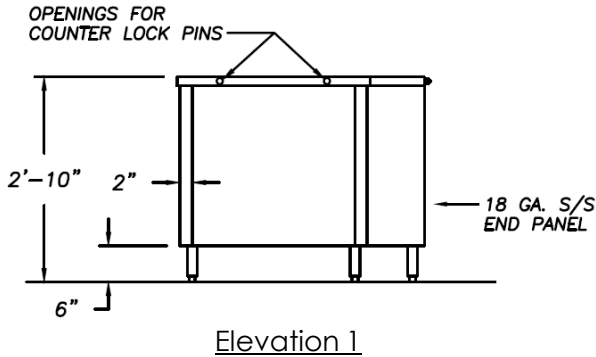
955 Patterson Drive
Bloomsburg, PA 17815
P: [570-387-8980](tel:570-387-8980)
F: [570-387-8982](tel:570-387-8982)

CSI1107 Rev. 04/15



www.commercialstainless.com

CORNER L-SHAPED COUNTER(continued)



AMSP-CR1 shown

Model Numbers:

(Custom dimensions available)

Model Number	Dimensions (L x D x H)	Configuration
AMSP-CR2	41" x 41" x 34"	Inside or Outside Corner

Quote Requests: quotes@commercialstainless.com

Commercial Stainless, Inc.
 955 Patterson Drive
 Bloomsburg, PA 17815
 P: 570-387-8980
 F: 570-387-8982

CSI1107 Rev. 04/15



www.commercialstainless.com