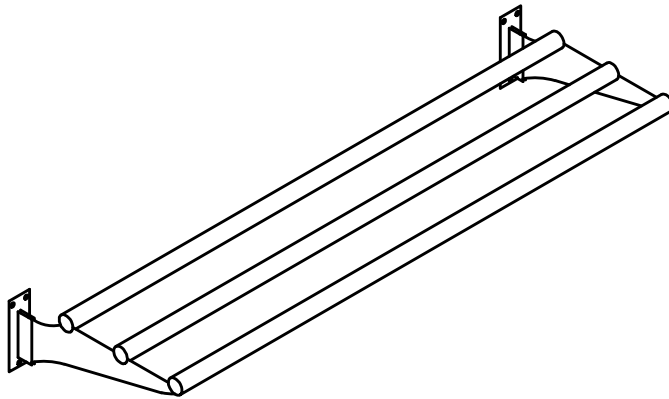


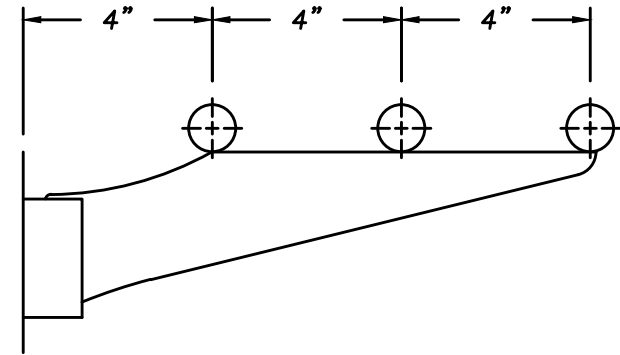
NOTES:

1" DIA. S/S TUBING

12 GA. S/S CANTILEVER BRACKETS



ISOMETRIC VIEW 1"=1'-0"



SECTION 3"=1'-0"

A3RTS 3 RAIL S/S TRAY SLIDE



955 PATTERSON DRIVE
BLOOMSBURG, PA. 17815
TELEPHONE: (570) 387-8980 FAX: (570) 387-8982



CUSTOM BUILT
FOODSERVICE
EQUIPMENT



AMERASPEC SERIES