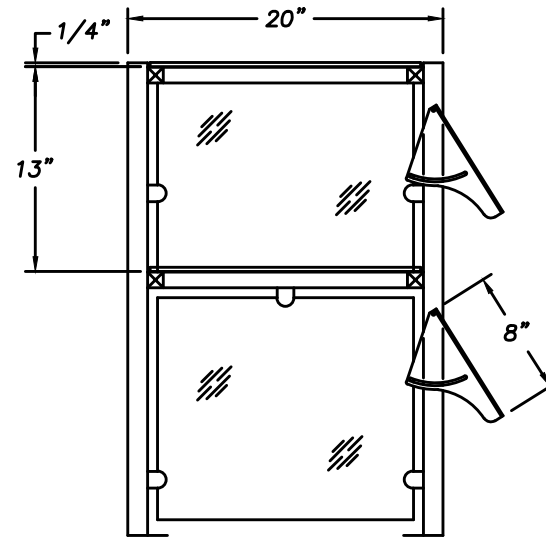


**NOTES:**

- 1" SQUARE S/S GLASS SHELF SUPPORTS
- 1 1/4" SQUARE S/S TUBING UPRIGHTS
- 1/4" THICK TEMPERED GLASS FRONT AND ENDS
- FLUORESCENT LIGHTS OPTIONAL



ISOMETRIC VIEW 1"=1'-0"

SECTION 1"=1'-0"

ADDD DOUBLE DECK DISPLAY



955 PATTERSON DRIVE  
 BLOOMSBURG, PA. 17815  
 TELEPHONE: (570) 387-8980 FAX: (570) 387-8982



CUSTOM BUILT  
 FOODSERVICE  
 EQUIPMENT



AMERASPEC SERIES